

AK-1701



- 17" LCD Monitor with LED Backlight
- Easy installation
- Low installation depth 411mm !!



AK-1701 is a 17" Monitor-Keyboard-Drawer with LED Backlight. A value keyboard with number block and touchpad completes the external design and makes it an allrounder device. The casing conforms the 1U Standard, is easily installed and mountable with the included mounting kit.



Properties

- 1U 17" LCD console, 422mm total depth
- Stepless, adjustable angle from 0 to 105° with high quality torque hinges
- Easy one-man-assembly with the included installation angles
- Adjustable depth: 411mm to 650mm (Standard)
Optional: conversion kit for 560mm to 900mm
- Chromed, hinged metal handle
- Practical knurled screws
- High graphic resolution, up to 1280 x 1024 with 60Hz

Keyboard versions

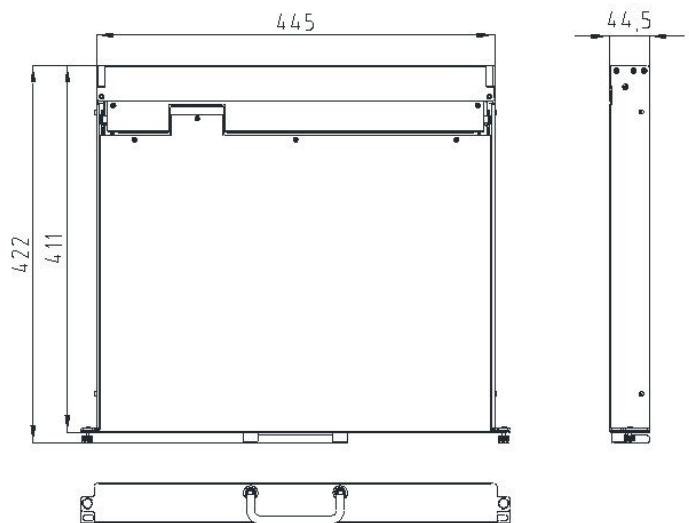
Available in following versions: German (DE), US-English (US), French (FR), Spanish (SP), Italian (IT). Swiss / German (CH) and swedish / finnish (SWE/FI)

Versions available on request: UK-English (UK), Turkish (TK), Russian(RU) and Arabian (AR)



Specifications

- Practical DB-37 Combo connector, combined with our included cable ULS-V01-1 (1 x VGA, 1 x USB and 2 x PS/2)
- compatible with the most PS/2-KVM and USB KVM-switches
- Support friendly external power supply
- Supports all USB suitable operating systems: for example DOS, Windows Series / Server 2008 / Server 2013, Linux, MacOS, etc.
- Permanent Keyboard /Mouse emulation for safe function on all computers and operating systems



Technical data:

Connections	Graphic / Keyboard / Mouse	1 x HDDB-37
	Power supply	1 x DC-12V
Connection cable (included)	PS/2 / USB / VGA Combo	ULS-V01-1 (1.2m)
Optional connection cable	PS/2 / USB / VGA Combo	ULS-V01-3 (3.0m)
Switch	LCD settings	5 Pressure switches
	ON / OFF	1 Pressure switch
	OFF (LCD folded)	1 Semi-covert pressure switch
LED-Display panel	Operation	1 x green/red
	Number	1 x blue
	Capital letters	1 x blue
	Scroll	1 x blue
Emulation	Keyboard/ Mouse	USB and PS/2
	Display	Yes
Graphic	17" LCD	1280 x 1024
	Colors	16,2 Mio.
	Frame Rate	H: 31,0 KHz. – 81,0 KHz. V: 56,0 KHz. – 76,0 KHz.
	Viewing angle	H: 140° / V: 130°
	Bandwith	140 Mhz.
	Brightness	300 cd/m ²
	Contrast	700 : 1
	Reaktion time	4 ms.
	Pixel pitch	0,264mm (H) x 0,264mm (V)
	Backlight	LED
Input values	100 V. – 240 V. AC, 48 Hz – 62 Hz	
Output values	DC 12V., 4,16A	
Power consumption	230 V / 18,8 Watt	
Certification	RoHS, RoHS2, CE	
Environment	Operating temperature	-10 - 50°C
	Storage temperature	-20 – 60°C
	Humidity	0 – 80% relative humidity (non condensing)
Physical properties	Casing	High performance steel
	Color	RAL 9005
	Weight	14.0 kg incl. angles
	Dimension (L x W x H) w/o handle	410 x 450 x 44.5mm (19" / 1U)
	Dimension (L x W x H) w. handle	422 x 450 x 44,5mm (19" / 1U)
Packaging	Weight	15.0 kg
	Dimension (L x W x H)	74 x 62 x 18 cm

AK-1701-DVI



- 17" LCD Monitor with LED Backlight
- Easy installation
- Low installation depth 411mm !!



AK-1701-DVI is a 17" Monitor-Keybaord-Drawer with LED Backlight. A value keyboard with number block and touchpad completes the external design and makes it an allrounder device. The casing conforms the 1U Standard, is easily installed and mountable with the included mounting kit.



Properties

- 1U 17" LCD console, 422mm total depth
- Stepless, adjustable angle from 0 to 105° with high quality torque hinges
- Easy one-man-assembly with the included installation angles
- Adjustable depth: 411mm to 650mm (Standard)
Optional: conversion kit for 560mm to 900mm
- Chromed, hinged metal handle
- Practical knurled screws
- High graphic resolution, up to 1280 x 1024 with 60Hz

Keyboard versions

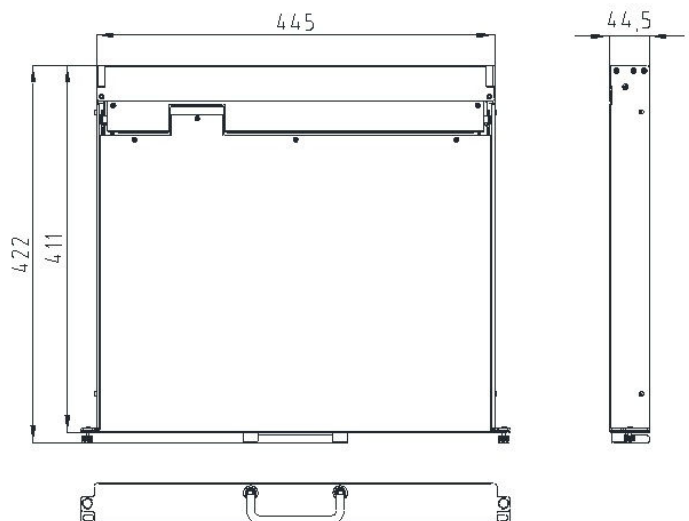
Available in following versions: German (DE), US-English (US), French (FR), Spanish (SP), Italian (IT). Swiss / German (CH) and Swedish / Finnish (SWE/FI)

Versions available on request: UK-English (UK), Turkish (TK), Russian(RU) and Arabian (AR)



Specifications

- Practical DB-37 Combo connector, combined with our included cable DLS-D01-1 (1 x DVI, 1 x USB and 2 x PS/2)
- compatible with the most PS/2-KVM and USB KVM-switches
- Support friendly external power supply
- Supports all USB suitable operating systems: for example DOS, Windows Series / Server 2008 / Server 2013, Linux, MacOS, etc.
- Permanent Keyboard /Mouse emulation for safe function on all computers and operating systems



Technical data:

Connections	Graphic / Keyboard / Mouse	1 x HDDB-37
	Power supply	1 x DC-12V
Connection cable (included)	PS/2 / USB / DVI Combo	DLS-D01-1 (1.2m)
Switch	LCD settings	5 Pressure switches
	ON / OFF	1 Pressure switch
	OFF (LCD folded)	1 Semi-covert pressure switch
LED-Display panel	Operation	1 x green/red
	Number	1 x blue
	Capital letters	1 x blue
	Scroll	1 x blue
Emulation	Keyboard/ Mouse	USB and PS/2
	Display	Yes
Graphic	17" LCD	1280 x 1024
	Colors	16,2 Mio.
	Frame Rate	H: 31,0 KHz. – 81,0 KHz. V: 56,0 KHz. – 76,0 KHz.
	Viewing angle	H: 140° / V: 130°
	Bandwith	140 Mhz.
	Brightness	300 cd/m ²
	Contrast	700 : 1
	Reaktion time	4 ms.
	Pixel pitch	0,264mm (H) x 0,264mm (V)
Backlight	LED	
Input values	100 V. – 240 V. AC, 48 Hz – 62 Hz	
Output values	DC 12V., 4,16A	
Power consumption	230 V / 18,8 Watt	
Certification	RoHS, RoHS2, CE	
Environment	Operating temperature	-10 - 50°C
	Storage temperature	-20 – 60°C
	Humidity	0 – 80% relative humidity (non condensing)
Physical properties	Casing	High performance steel
	Color	RAL 9005
	Weight	14.0 kg incl. angles
	Dimension (L x W x H) w/o handle	410 x 450 x 44.5mm (19" / 1U)
	Dimension (L x W x H) w. handle	422 x 450 x 44,5mm (19" / 1U)
Packaging	Weight	15.0 kg
	Dimension (L x W x H)	74 x 62 x 18 cm

AK-1701-HDMI



- 17" LCD Monitor with LED Backlight
- Easy installation
- Low installation depth 411mm !!



AK-1701-HDMI is a 17" Monitor-Keybaord-Drawer with LED Backlight. A value keyboard with number block and touchpad completes the external design and makes it an allrounder device. The casing conforms the 1U Standard, is easily installed and mountable with the included mounting kit.



Properties

- 1U 17" LCD console, 422mm total depth
- Stepless, adjustable angle from 0 to 105° with high quality torque hinges
- Easy one-man-assembly with the included installation angles
- Adjustable depth: 411mm to 650mm (Standard)
Optional: conversion kit for 560mm to 900mm
- Chromed, hinged metal handle
- Practical knurled screws
- High graphic resolution, up to 1280 x 1024 with 60Hz

Keyboard versions

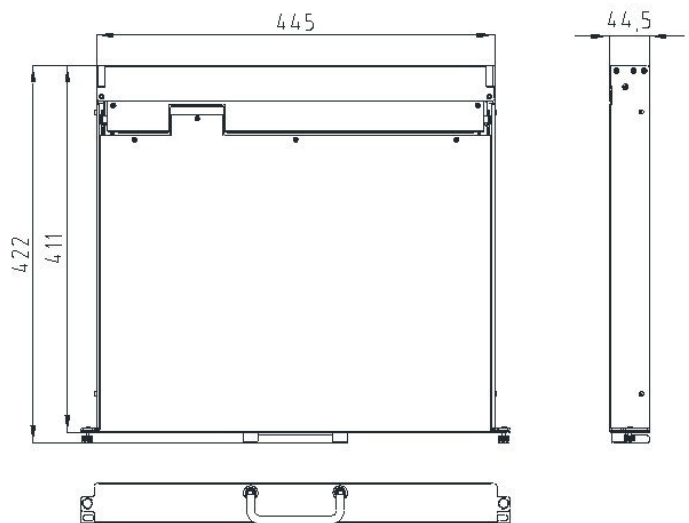
Available in following versions: German (DE), US-English (US), French (FR), Spanish (SP), Italian (IT). Swiss / German (CH) and Swedish / Finnish (SWE/FI)

Versions available on request: UK-English (UK), Turkish (TK), Russian(RU) and Arabian (AR)



Specifications

- Practical DB-37 Combo connector, combined with our included cable HLS-H01 (1 x HDMI, 1 x USB and 2 x PS/2)
- compatible with the most PS/2-KVM and USB KVM-switches
- Support friendly external power supply
- Supports all USB suitable operating systems: for example DOS, Windows Series / Server 2008 / Server 2013, Linux, MacOS, etc.
- Permanent Keyboard /Mouse emulation for safe function on all computers and operating systems



Technical data:

Connections	Graphic / Keyboard / Mouse	1 x HDDB-37
	Power supply	1 x DC-12V
Connection cable (included)	PS/2 / USB / HDMI Combo	HLS-H01 (1.2m)
Switch	LCD settings	5 Pressure switches
	ON / OFF	1 Pressure switch
	OFF (LCD folded)	1 Semi-covert pressure switch
LED-Display panel	Operation	1 x green/red
	Number	1 x blue
	Capital letters	1 x blue
	Scroll	1 x blue
Emulation	Keyboard/ Mouse	USB and PS/2
	Display	Yes
Graphic	17" LCD	1280 x 1024
	Colors	16,2 Mio.
	Frame Rate	H: 31,0 KHz. – 81,0 KHz. V: 56,0 KHz. – 76,0 KHz.
	Viewing angle	H: 140° / V: 130°
	Bandwith	140 Mhz.
	Brightness	300 cd/m ²
	Contrast	700 : 1
	Reaktion time	4 ms.
	Pixel pitch	0,264mm (H) x 0,264mm (V)
Backlight	LED	
Input values	100 V. – 240 V. AC, 48 Hz – 62 Hz	
Output values	DC 12V., 4,16A	
Power consumption	230 V / 18,8 Watt	
Certification	RoHS, RoHS2, CE	
Environment	Operating temperature	-10 - 50°C
	Storage temperature	-20 – 60°C
	Humidity	0 – 80% relative humidity (non condensing)
Physical properties	Casing	High performance steel
	Color	RAL 9005
	Weight	14.0 kg incl. angles
	Dimension (L x W x H) w/o handle	410 x 450 x 44.5mm (19" / 1U)
	Dimension (L x W x H) w. handle	422 x 450 x 44,5mm (19" / 1U)
Packaging	Weight	15.0 kg
	Dimension (L x W x H)	74 x 62 x 18 cm

AK-1704-DVI / AK-1708-DVI



- 17" LCD Monitor with LED Backlight
- 4 / 8 port DVI KVM-Switch
- Depth 559mm only



AK-1704-DVI / AK-1708-DVI is a 17" Monitor-Key-board-Drawer with LED backlight. A value keyboard with number block and touchpad and the integrated 4 / 8 Port DVI KVM-Switch are completing the external design. The casing conforms the 1U Standard, is easily installed and mountable with the included mounting kit.



Specifications

- The corresponding cables **are included with delivery**.
- Cascadable up to a port capacity of 64 ports by tree-chaining
- Computer selection by push buttons, Keyboard -Hotkeys and OSD-Menu
- On-Screen-Display und system notification as a Pop-Up
- Automatic Power ON/OFF pushing the console back to the rack
- Supports all USB suitable operating systems: for example DOS, Windows Series / Server 2008 / Server 2013, Linux, MacOS, etc.
- Numeric LED status indicators for clear display of port status

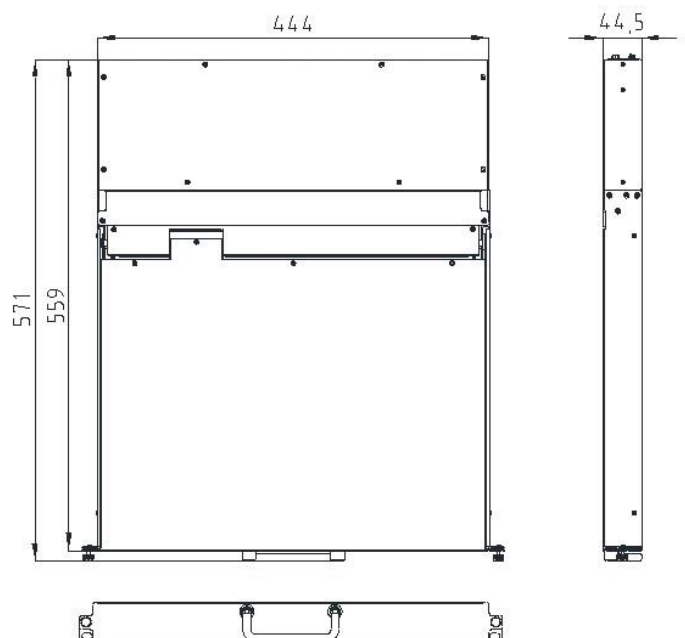
Properties

- 1U 17" LCD console, 571mm total depth
- Stepless, adjustable angle from 0 to 105° with high quality torque hinges
- Easy one-man-assembly with the included installation angles
- Integrated 4 / 8 Port DVI KVM-switch
- Adjustable depth: 560mm to 900mm (Standard)
- Chromed metal handle
- Practical knurled screws
- High graphic resolution, up to 1280 x 1024 with 60Hz

Keyboard versions:

Available in following versions: German (DE), US-English (US), French (FR), Spanish (SP), Italian (IT). Swiss / German (CH) and swedish / finnish (SWE/FI)

Versions available on request: UK-English (UK), Turkish (TK), Russian(RU) and Arabian (AR)



Technical data:

Connections KVM	Graphic	4 / 8 x DVI-D
	Keyboard / Mouse	4 / 8 x USB-B
	Keyboard / Mouse external	2 x USB-A
	Microphone / Speaker	4 / 8 Combo-Audio
	Microphone / Speaker external	2 x 3,5mm Audio
Connection cable (Standard)	Power supply	1 x DC-12V
	1 x DVI / 1 x USB-A / 2 x Audio 3,5mm Combo cable	8 x KD-KAB-102-DVI (1.8m)
Switch	LCD settings	5 Pressure switch
	ON / OFF	1 Pressure switch
	OFF (LCD folded)	1 Semi-covert pressure switch
LED-Display panel	Operation	1 x green/red
	Number	1 x blue
	Capital letters	1 x blue
	Scroll	1 x blue
LED-Display KVM	Port selection	16 x green
Emulation	Keyboard/ Mouse	USB
	Display	Yes
Port selection	Push Button / Hotkey / OSD	
Graphic	17" LCD	1280 x 1024
	Colors	16,2 Mio.
	Frame Rate	H: 31,0 KHz. – 81,0 KHz. V: 56,0 KHz. – 76,0 KHz.
	Viewing angle	H: 140° / V: 130°
	Bandwith	140 Mhz.
	Brightness	300 cd/m ²
	Contrast	700 : 1
	Reaktion time	4 ms.
	Pixel pitch	0,264mm (H) x 0,264mm (V)
	Backlight	LED
Input values	100 V. – 240 V. AC, 48 Hz – 62 Hz	
Output values	DC 12V., 4,16A	
Power consumption	230 V / 16,8 Watts	
Certification	RoHS, RoHS2, CE	
Environment	Operating temperature	-10 - 50°C
	Storage temperature	-20 – 60°C
	Humidity	0 – 80% relative humidity (non condensing)
Physical properties	Casing	High performance steel
	Color	RAL 9005
	Weight	16.8 kg incl. angles
	Dimension (L x W x H) w/o handle	555 x 450 x 44,5mm (19" / 1U)
	Dimension (L x W x H) w. handle	567 x 450 x 44,5mm (19" / 1U)
Packaging	Weight	17.8 kg
	Dimension (L x W x H)	74 x 62 x 18 cm

AK-1704-K5 / AK-1708-K5 / AK-1716-K5 / AK-1732-K5



- 17" LCD Monitor with LED Backlight
- 4 / 8 / 16 / 32 Port CAT.5 KVM
- Installation Depth 559mm only



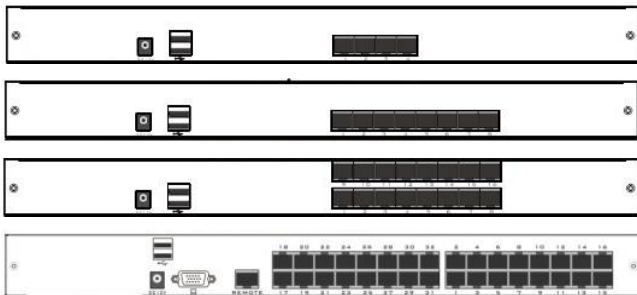
AK-1704-K5 / AK-1708-K5 / AK-1716-K5 / AK-1732-K5 is a 17" Monitor-Keyboard-Drawer with LED backlight. A value keyboard with number block and touchpad and the integrated 4 / 8 / 16 / 32 Port CAT.5 KVM-Switch are completing the external design. The casing conforms the 1U Standard, is easily installed and mountable with the included mounting kit.

With an additional (optional) extender KL-151 / KL-153 you can mirror the operating console of the article AK-1732-K5 and set it off via a 1: 1 CAT.x cable connection.

The device can optional be equipped with an IP-module.

Specifications

- The corresponding dongle **are included with delivery**.
- Cascadable up to a port capacity of 256 ports by tree-chaining
- Computer selection by push buttons, Keyboard -Hotkeys and OSD-Menu
- On-Screen-Display und system notification as a Pop-Up
- Automatic Power ON/OFF pushing the console back to the rack
- Supports all USB suitable operating systems: for example DOS, Windows Series / Server 2008 / Server 2013, Linux, MacOS, etc.
- Numeric I FD status indicators for clear display of port status



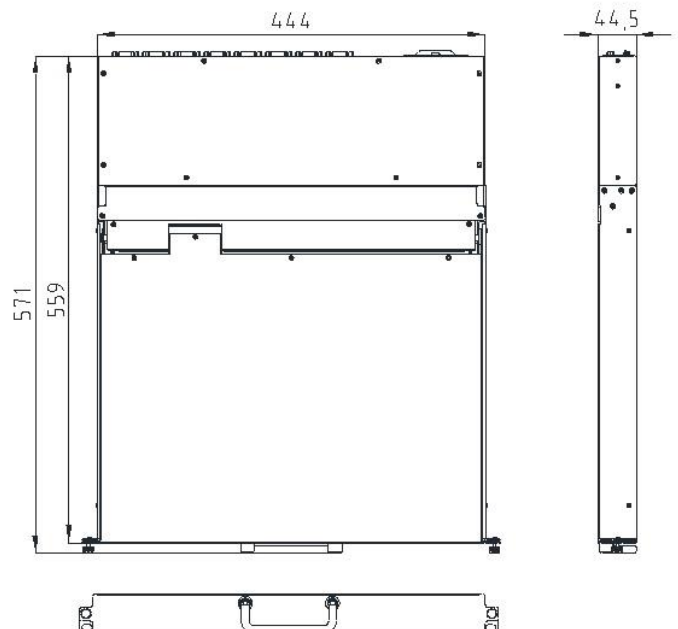
Properties

- 1U 17" LCD console, 571mm total depth
- Stepless, adjustable angle from 0 to 105° with high quality torque hinges
- Easy one-man-assembly with the included installation angles
- Integrated 4 / 8 / 16 / 32 port CAT.5 KVM-Switch
- Adjustable depth: 560mm to 900mm (Standard)
- Chromed metal handle
- Practical knurled screws
- High graphic resolution, up to 1280 x 1024 with 60Hz

Keyboard versions

Available in following versions: German (DE), US-English (US), French (FR), Spanish (SP), Italian (IT). Swiss / German (CH) and swedish / finnish (SWE/FI)

Versions available on request: UK-English (UK), Turkish (TK), Russian(RU) and arabian (AR)



Technical data:

Connections KVM	Graphic / Keyboard / Mouse	4 / 8 / 16 / 32 x RJ-45
	Keyboard / Mouse external	2 x USB-A
	Power supply	1 x DC-12V
	External Monitor	1 x HDDB-15 (only AK-1732-K5)
	Remote Extender	1 x RJ-45 (only AK-1732-K5) Extender KL-151or KL-153 optional
Connections (Standard)	1x VGA und 1x USB Standard (within delivery)	4 / 8 / 16 / 32 x KD-DON-USB Standard
	1x VGA und 2x PS/2 Optional	KD-DON-PS/2 Optional
Switch	LCD settings	5 Pressure switch
	ON / OFF	1 Pressure switch
	OFF (LCD folded)	1 Semi-covert pressure switch
LED-Display panel	Operation	1 x green/red
	Number	1 x blue
	Capital letters	1 x blue
	Scroll	1 x blue
LED-Display KVM	Port/Switch	16 x green (Port)
Emulation	Keyboard/ Mouse	USB & PS/2
	Display	JA
Port selection	Hotkey / OSD	
Graphic	17" LCD	1280 x 1024
	Colors	16,2 Mio.
	Frame Rate	H: 31,0 KHz. – 81,0 KHz. V: 56,0 KHz. – 76,0 KHz.
	Viewing angle	H: 140° / V: 130°
	Bandwith	140 Mhz.
	Brightness	300 cd/m ²
	Contrast	700 : 1
	Reaktion time	4 ms.
	Pixel pitch	0,264mm (H) x 0,264mm (V)
	Backlight	LED
Input values	100 V. – 240 V. AC, 48 Hz – 62 Hz	
Output values	DC 12V., 4,16A	
Power consumption	230 V / 14,6 Watt	
Certification	RoHS, RoHS2, CE	
Environment	Operating temperature	-10 - 50°C
	Storage temperature	-20 – 60°C
	Humidity	0 – 80% relative humidity (non condensing)
Physical properties	Casing	High performance steel
	Color	RAL 9005
	Weight	16.8 kg incl. angles
	Dimension (L x W x H) w/o handle	555 x 450 x 44,5mm (19" / 1U)
	Dimension (L x W x H) w. handle	567 x 450 x 44,5mm (19" / 1U)
Packaging	Weight	17.8 kg
	Dimension (L x W x H)	74 x 62 x 18 cm

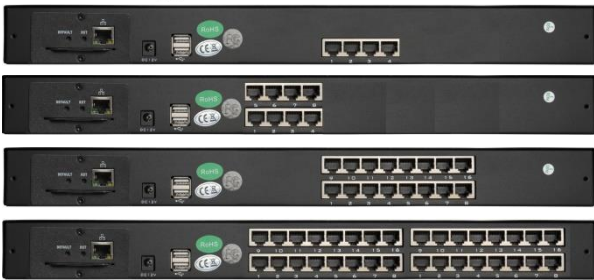
AK-1704-K5-IP / AK-1708-K5-IP / AK-1716-K5-IP / AK-1732-K5-IP



- 17" LCD Monitor with LED Backlight
- 4 / 8 / 16 / 32 Port CAT.5 IP-KVM
- Installation Depth 559mm only



AK-1704-K5-IP / AK-1708-K5-IP / AK-1716-K5-IP / AK-1732-K5-IP is a 17" Monitor-Keybaord-Drawer with LED backlight. A value keyboard with number block and touchpad and the integrated 4 / 8 / 16 / 32 Port CAT.5 IP-KVM-Switch are completing the external design. The casing conforms the 1U Standard, is easily installed and mountable with the included mounting kit.



Specifications

- The corresponding dongle **are included with delivery.**
- Cascadable up to a port capacity of 256 ports by tree-chaining
- Computer selection by push buttons, Keyboard -Hotkeys and OSD-Menu
- On-Screen-Display und system notification as a Pop-Up
- Automatic Power ON/OFF pushing the console back to the rack
- Supports all USB suitable operating systems: for example DOS, Windows Series / Server 2008 / Server 2013, Linux, MacOS, etc.
- Numeric LED status indicators for clear display of port status

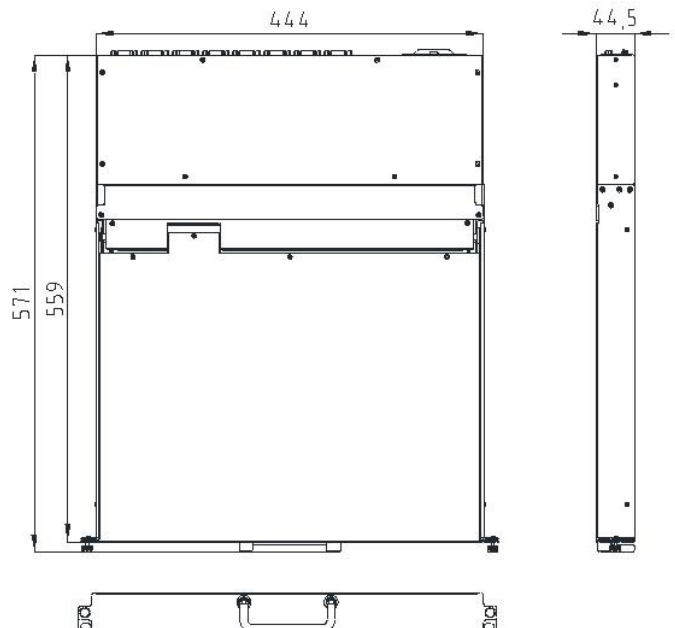
Properties

- 1U 17" LCD console, 571mm total depth
- Stepless, adjustable angle from 0 to 105° with high quality torque hinges
- Easy one-man-assembly with the included installation angles
- Integrated 4 / 8 / 16 / 32 port CAT.5 IP-KVM-Switch
- Adjustable depth: 560mm to 900mm (Standard)
- Chromed metal handle
- Practical knurled screws
- High graphic resolution, up to 1280 x 1024 with 60Hz

Keyboard versions

Available in following versions: German (DE), US-English (US), French (FR), Spanish (SP), Italian (IT). Swiss / German (CH) and swedish / finnish (SWE/FI)

Versions available on request: UK-English (UK), Turkish (TK), Russian(RU) and Arabian (AR)



Technical data:

Connections KVM	Graphic / Keyboard / Mouse	4 / 8 / 16 / 32 x RJ-45
	Console(remote)	1 x RJ-45
	Keyboard / Mouse external	2 x USB-A
	Power supply	1 x DC-12V
	External Monitor	1 x HDDB-15 (only AK-1732-K5-IP)
	Remote Extener	1 x RJ-45 (only AK-1732-K5-IP), Extender KL-151 or KL-153 optional
Connections (Standard)	1x VGA und 1x USB Standard (within delivery)	4 / 8 /16 / 32 x KD-DON-USB Standard
	1x VGA und 2x PS/2 Optional	KD-DON-PS/2 Optional
Switch	LCD settings	5 Pressure switch
	ON / OFF	1 Pressure switch
	OFF (LCD folded)	1 Semi-covert pressure switch
LED-Display panel	Operation	1 x green/red
	Number	1 x blue
	Capital letters	1 x blue
	Scroll	1 x blue
LED-Display KVM	Port/Switch	16 green (Port)
Emulation	Keyboard/ Mouse	USB & PS/2
	Display	JA
Port selection	Hotkey / OSD	
Graphic	17" LCD	1280 x 1024
	Colors	16,2 Mio.
	Frame Rate	H: 31,0 KHz. – 81,0 KHz. V: 56,0 KHz. – 76,0 KHz.
	Viewing angle	H: 140° / V: 130°
	Bandwith	140 Mhz.
	Brightness	300 cd/m ²
	Contrast	700 : 1
	Reaktion time	4 ms.
	Pixel pitch	0,264mm (H) x 0,264mm (V)
	Backlight	LED
Input values	100 V. – 240 V. AC, 48 Hz – 62 Hz	
Output values	DC 12V., 4,16A	
Power consumption	230 V / 14,6 Watt	
Certification	RoHS, RoHS2, CE	
Environment	Operating temperature	-10 - 50°C
	Storage temperature	-20 – 60°C
	Humidity	0 – 80% relative humidity (non condensing)
Physical properties	Casing	High performance steel
	Color	RAL 9005
	Weight	17.6 kg incl. angles
	Dimension (L x W x H) w/o handle	555 x 450 x 44,5mm (19" / 1U)
	Dimension (L x W x H) w. handle	567 x 450 x 44,5mm (19" / 1U)
Packaging	Weight	18.6 kg
	Dimension (L x W x H)	74 x 62 x 18 cm

AK-1708-IP / AK-1716-IP



- 17" LCD Monitor with LED Backlight
- 8 / 16 port IP-KVM-Switch USB / PS/2
- Depth 559mm only



AK-1708-IP / AK-1716-IP is a 17" Monitor-Keyba-Drawer with LED backlight. A value keyboard with number block and touchpad and the integrated 8 / 16 Port Combo VGA IP-KVM-Switch are completing the external design. The casing conforms the 1U Standard, is easily installed and mountable with the included mounting kit.



Specifications

- The corresponding cable **are included with delivery.**
- Cascadable up to a port capacity of 256 ports by tree-chaining
- Computer selection by push buttons, Keyboard -Hotkeys and OSD-Menu
- On-Screen-Display und system notification as a Pop-Up
- Automatic Power ON/OFF pushing the console back to the rack
- Supports all USB suitable operating systems: for example DOS, Windows Series / Server 2008 / Server 2013, Linux, MacOS, etc.
- Numeric LED status indicators for clear display of port status

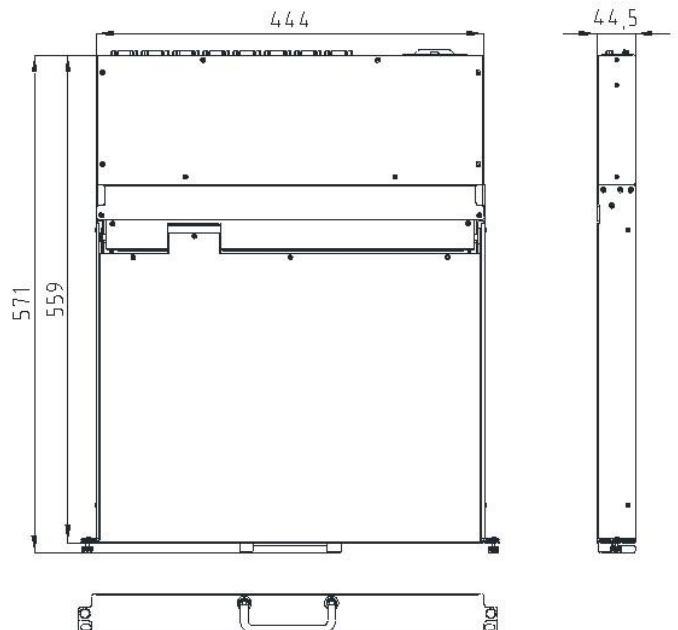
Properties

- 1U 17" LCD console, 571mm total depth
- Stepless, adjustable angle from 0 to 105° with high quality torque hinges
- Easy one-man-assembly with the included installation angles
- Integrated 8 / 16-port Combo VGA IP-KVM-Switch
- Adjustable depth: 560mm to 900mm (Standard)
- Chromed metal handle
- Practical knurled screws
- High graphic resolution, up to 1280 x 1024 with 60Hz

Keyboard versions:

Available in following versions: German (DE), US-English (US), French (FR), Spanish (SP), Italian (IT). Swiss / German (CH) and swedish / finnish (SWE/FI)

Versions available on request: UK-English (UK), Turkish (TK), Russian(RU) and arabian (AR)



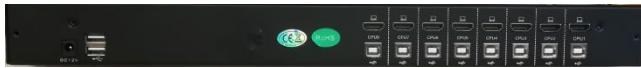
AK-1708-HDMI / AK-1716-HDMI



- 17" LCD Monitor with LED Backlight
- 8 / 16 port HDMI KVM-switch
- Depth 559mm only



AK-1708 / AK-1716-HDMI is a 17" Monitor-Keyboard-Drawer with LED backlight. A value keyboard with number block and touchpad and the integrated 8 / 16 Port HDMI KVM-Switch are completing the external design. The casing conforms the 1U Standard, is easily installed and mountable with the included mounting kit.



Specifications

- The corresponding 8 / 16 HDMI / USB cable **are included with delivery.**
- Computer selection by push buttons, Keyboard-Hotkeys and OSD-Menu
- full DDC control
- On-Screen-Display und system notification as a Pop-Up
- Automatic Power ON/OFF pushing the console back to the rack
- Supports all USB suitable operating systems: for example DOS, Windows Series / Server 2008 / Server 2013, Linux, MacOS, etc.
- Numeric LED status indicators for clear display of port status

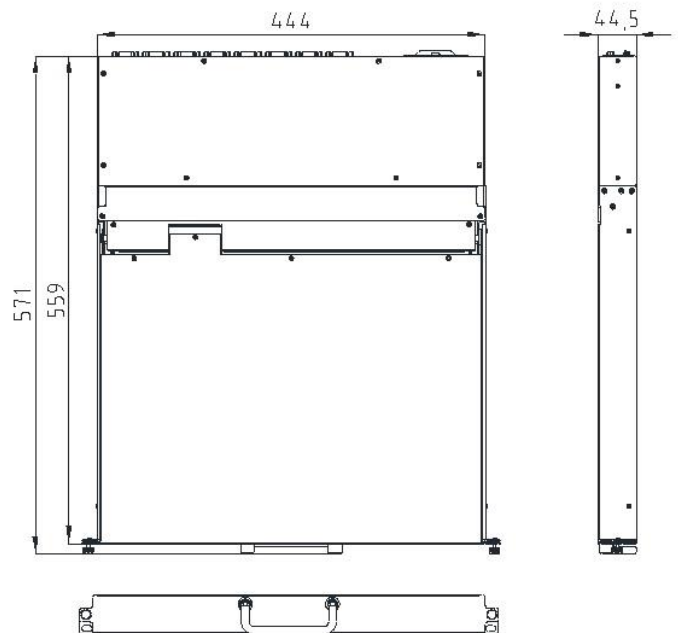
Properties

- 1U 17" LCD console, 559mm total depth
- Stepless, adjustable angle from 0 to 105° with high quality torque hinges
- Easy one-man-assembly with the included installation angles
- Integrated 8 / 16 port **HDMI** KVM-Switch
- Adjustable depth: 560mm to 900mm (Standard)
- Chromed metal handle
- Practical knurled screws
- High graphic resolution, up to 1280 x 1024 with 60Hz

Keyboard versions:

Available in following versions: German (DE), US-English (US), French (FR), Spanish (SP), Italian (IT). Swiss / German (CH) and swedish / finnish (SWE/FI)

Versions available on request: UK-English (UK), Turkish (TK), Russian(RU) and arabian (AR)



Technical data:

Connections KVM	Graphic	8 / 16 x HDMI
	Keyboard / Mouse	1 x USB-B
	Keyboard / Mouse external	2 x USB-A
	Power supply	1 x DC-12V
Connection cable (Standard)	1 x HDMI / 1 x USB-B to 1 x HDMI / 1 x USB-A 1-1 cable	8 x KD-KAB-102-HDMI (1.8m), included
Switch	LCD settings	5 Pressure switch
	ON / OFF	1 Pressure switch
	OFF (LCD folded)	1 Semi-covert pressure switch
LED-Display panel	Operation	1 x green/red
	Number	1 x blue
	Capital letters	1 x blue
	Scroll	1 x blue
LED-Display KVM	Port selection	16 x green
Emulation	Keyboard/ Mouse	USB
	Display	Yes
Port selection	Push Button / Hotkey / OSD	
Graphic	17" LCD	1280 x 1024 nativ
	Colors	16,2 Mio.
	Frame Rate	H: 31,0 KHz. – 81,0 KHz. V: 56,0 KHz. – 76,0 KHz.
	Viewing angle	H: 140° / V: 130°
	Bandwith	140 Mhz.
	Brightness	300 cd/m ²
	Contrast	700 : 1
	Reaktion time	4 ms.
	Pixel pitch	0,264mm (H) x 0,264mm (V)
	Backlight	LED
Input values	100 V. – 240 V. AC, 48 Hz – 62 Hz	
Output values	DC 12V., 4,16A	
Power consumption	230 V / 16,8 Watts	
Certification	RoHS, RoHS2, CE	
Environment	Operating temperature	-10 - 50°C
	Storage temperature	-20 – 60°C
	Humidity	0 – 80% relative humidity (non condensing)
Physical properties	Casing	High performance steel
	Color	RAL 9005
	Weight	18.1 kg incl. angles
	Dimension (L x W x H) w/o handle	555 x 450 x 44,5mm (19" / 1U)
	Dimension (L x W x H) w. handle	567 x 450 x 44,5mm (19" / 1U)
Packaging	Weight	19.1 kg
	Dimension (L x W x H)	74 x 62 x 18 cm

Technical data:

Connections KVM	Graphic	8 / 16 HDDB-15
	Console(remote)	1 x RJ-45
	Keyboard / Mouse external	2 x USB-A
	Power supply	1 x DC-12V
Connection cable (Standard)	2x PS/2 / USB / VGA Combo, 4in1 Combo cable	8 / 16 x KD-KAB-102-4 (1.8m)
Additional supply	2x PS/2 / USB / VGA Combo, 4in1 Combo cable	KD-KAB-103-4 (3,0m) KD-KAB-105-4 (5,0m)
Switch	LCD settings	5 Pressure switch
	ON / OFF	1 Pressure switch
	OFF (LCD folded)	1 Semi-covert pressure switch
LED-Display panel	Operation	1 x green/red
	Number	1 x blue
	Capital letters	1 x blue
	Scroll	1 x blue
LED-Display KVM	Port/Switch	16 x green (Port)
Emulation	Keyboard/ Mouse	USB / PS/2
	Display	Yes
Port selection	Push Button / Hotkey / OSD	
Graphic	17" LCD	1280 x 1024
	Colors	16,2 Mio.
	Frame Rate	H: 31,0 KHz. – 81,0 KHz. V: 56,0 KHz. – 76,0 KHz.
	Viewing angle	H: 140° / V: 130°
	Bandwith	140 Mhz.
	Brightness	300 cd/m ²
	Contrast	700 : 1
	Reaktion time	4 ms.
	Pixel pitch	0,264mm (H) x 0,264mm (V)
	Backlight	LED
Input values	100 V. – 240 V. AC, 48 Hz – 62 Hz	
Output values	DC 12V., 4,16A	
Power consumption	230 V / 16,8 Watts	
Certification	RoHS, RoHS2, CE	
Environment	Operating temperature	-10 - 50°C
	Storage temperature	-20 – 60°C
	Humidity	0 – 80% relative humidity (non condensing)
Physical properties	Casing	High performance steel
	Color	RAL 9005
	Weight	18.1 kg incl. angles
	Dimension (L x W x H) w/o handle	555 x 450 x 44,5mm (19" / 1U)
	Dimension (L x W x H) w. handle	567 x 450 x 44,5mm (19" / 1U)
Packaging	Weight	19.1 kg
	Dimension (L x W x H)	74 x 62 x 18 cm

AK-1708 / AK-1716



- 17" LCD Monitor with LED Backlight
- 8 / 16 port KVM-Switch USB / PS/2
- Depth 559mm only



AK-1708 / AK-1716 is a 17" Monitor-Keyboard-Drawer with LED backlight. A value keyboard with number block and touchpad and the integrated 8 / 16 Port Combo VGA KVM-Switch are completing the external design. The casing conforms the 1U Standard, is easily installed and mountable with the included mounting kit.

The device can optional be equipped with an IP-module.



Specifications

- The corresponding cable are included with delivery.
- Cascadable up to a port capacity of 128 ports by tree-chaining
- Computer selection by push buttons, Keyboard -Hotkeys and OSD-Menu
- On-Screen-Display und system notification as a Pop-Up
- Automatic Power ON/OFF pushing the console back to the rack
- Supports all USB suitable operating systems: for example DOS, Windows Series / Server 2008 / Server 2013, Linux, MacOS, etc.
- Numeric LED status indicators for clear display of port status

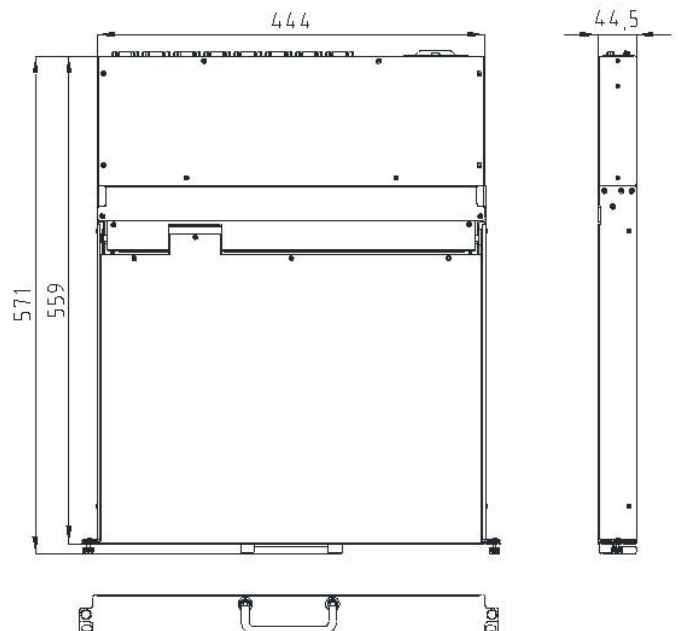
Properties

- 1U 17" LCD console, 571mm total depth
- Stepless, adjustable angle from 0 to 105° with high quality torque hinges
- Easy one-man-assembly with the included installation angles
- Integrated 8 / 16 port Combo VGA KVM-Switch
- Adjustable depth: 560mm to 900mm (Standard)
- Chromed metal handle
- Practical knurled screws
- High graphic resolution, up to 1280 x 1024 with 60Hz

Keyboard versions:

Available in following versions: German (DE), US-English (US), French (FR), Spanish (SP), Italian (IT). Swiss / German (CH) and swedish / finnish (SWE/FI)

Versions available on request: UK-English (UK), Turkish (TK), Russian(RU) and Arabian (AR)



Technical data:

Connections KVM	Graphic	8 / 16 x HDDB-15
	Keyboard / Mouse external	2 x USB-A
	Power supply	1 x DC-12V
Connection cable (Standard)	2x PS/2 / USB / VGA Combo, 4in1 Combo cable	8 / 16 x KD-KAB-102-4 (1.8m)
Additional supply	2x PS/2 / USB / VGA Combo, 4in1 Combo cable	KD-KAB-103-4 (3,0m) KD-KAB-105-4 (5,0m)
Switch	LCD settings	5 Pressure switch
	ON / OFF	1 Pressure switch
	OFF (LCD folded)	1 Semi-covert pressure switch
LED-Display panel	Operation	1 x green/red
	Number	1 x blue
	Capital letters	1 x blue
	Scroll	1 x blue
LED-Display KVM	Port selection	16 x green
Emulation	Keyboard/ Mouse	USB / PS/2
	Display	Yes
Port selection	Push Button / Hotkey / OSD	
Graphic	17" LCD	1280 x 1024
	Colors	16,2 Mio.
	Frame Rate	H: 31,0 KHz. – 81,0 KHz. V: 56,0 KHz. – 76,0 KHz.
	Viewing angle	H: 140° / V: 130°
	Bandwith	140 Mhz.
	Brightness	300 cd/m ²
	Contrast	700 : 1
	Reaktion time	4 ms.
	Pixel pitch	0,264mm (H) x 0,264mm (V)
	Backlight	LED
Input values	100 V. – 240 V. AC, 48 Hz – 62 Hz	
Output values	DC 12V., 4,16A	
Power consumption	230 V / 16,8 Watts	
Certification	RoHS, RoHS2, CE	
Environment	Operating temperature	-10 - 50°C
	Storage temperature	-20 – 60°C
	Humidity	0 – 80% relative humidity (non condensing)
Physical properties	Casing	High performance steel
	Color	RAL 9005
	Weight	16.8 kg incl. angles
	Dimension (L x W x H) w/o handle	555 x 450 x 44,5mm (19" / 1U)
	Dimension (L x W x H) w. handle	567 x 450 x 44,5mm (19" / 1U)
Packaging	Weight	17.8 kg
	Dimension (L x W x H)	74 x 62 x 18 cm